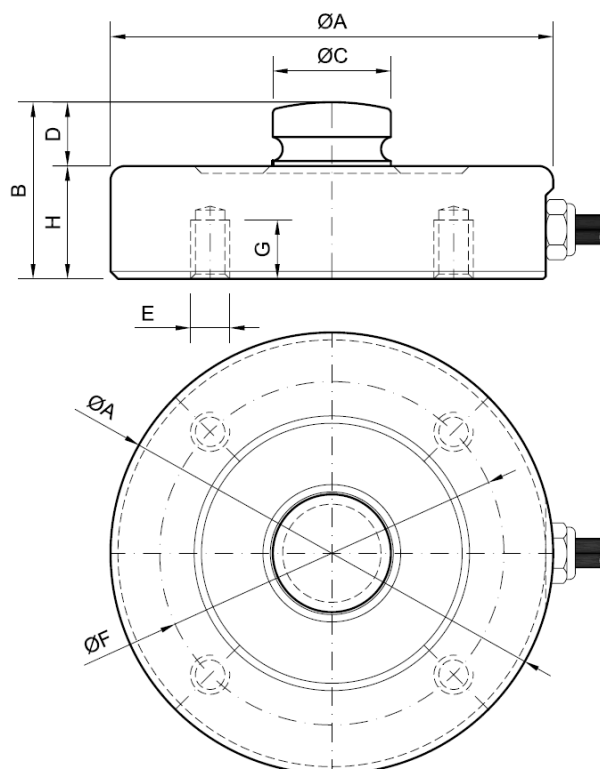
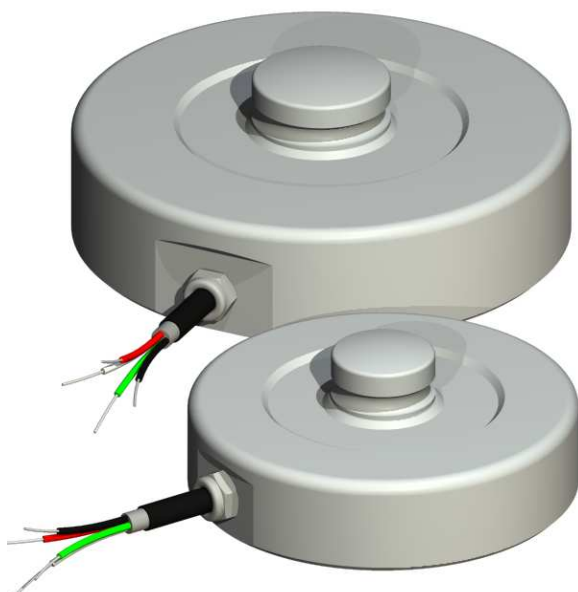


### C3 1 ... 40 t



Dimensions in mm

- Compression load cell developed to work with off-center loading.
- Low profile sensing element.
- Made of alloy steel and chemical nickel protection to prevent corrosion..

#### Wiring diagram

+Vcc 10 ... 30	RED
N.C.	WHITE
GND	BLACK
4-20 mA	GREEN

nL (t)	ØA	B	ØC	D	E	ØF	G	H
<b>1, 2, 3, 4, 5</b>	90	36	24	13	M-8 (4)	70	12	23
<b>10, 15, 20</b>	115	42	32	13	M-12 (4)	90	16	29
<b>30, 40</b>	155	68	44	16	M-16 (4)	125	20	52

### Technical characteristics

Nominal Load (nL)	1 ... 40 t	Minimum Isolation resistance (V.Test = 100V)	4 GΩ
+ Vcc	0.....30 Vdc	Maximum Working load	150 % F.S.
Temperature effect on accuracy	0,044% F.S.	Breaking load	>300 % F.S.
Temperature effect on zero balance	0,035% F.S.	Material	Alloy steel & nickel coated. Stainless steel available
Temperature range service	-40..70 °C	Protection class	IP67
Histeresys error	0,067 % F.S.	Cable type	Ø6 4x0,22 mm <sup>2</sup>
Non Linearity	0,04% F.S.	Cable length	4 m
Creep (over 30 minutes)	0,06% F.S.		

Note: this load cell can be supplied with a botton lid